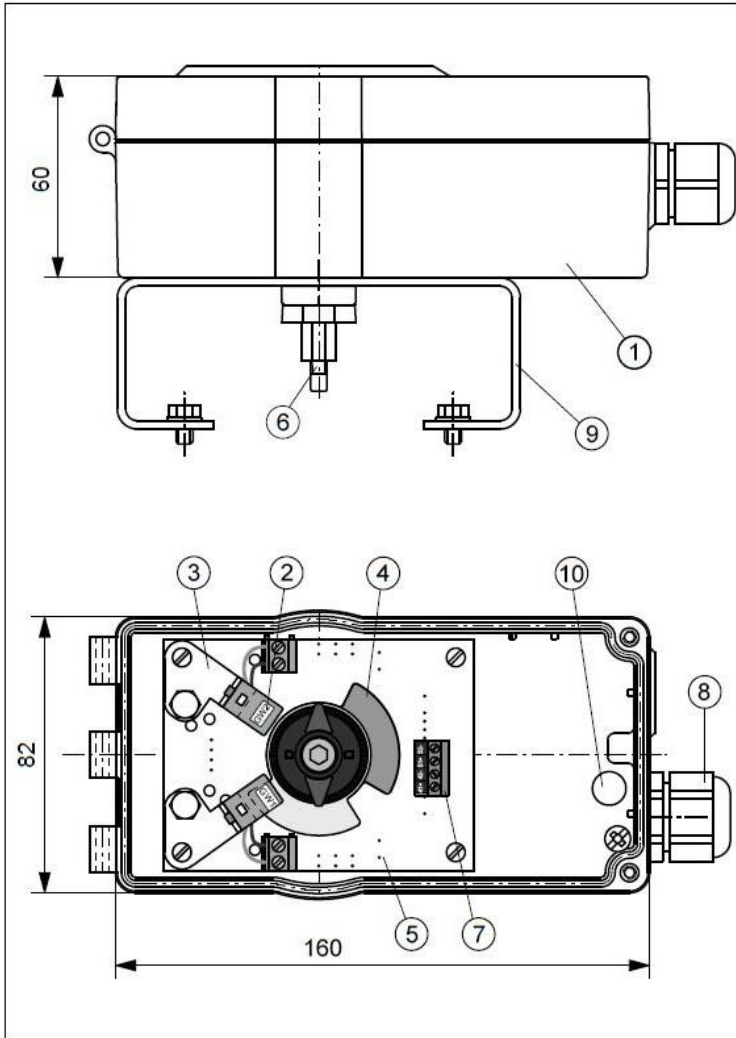


# Limit switch module ALB APF3NARTAZ10

ALB-Module with two proximity switches P+F SJ3,5-N on circuit board  
in Aluminium-Housing 160x82x60 mm



## TECHNICAL DATA

Manufacturer: Pepperl+Fuchs  
Type: SJ3,5-N,  
slot type  
NC, Namur,  
Depth of immersion: 5 ... 7 mm  
Nominal voltage: 8 V DC  
Current consumpt.:  $\geq 3$  mA, inactive  
 $\leq 1$  mA, active  
Temperature range: -25 ... +85°C  
Switch. frequency: 0 ... 3000 Hz  
Housing: Aluminium  
Base industry-grey  
Cover red  
Sealing: PUR  
Ingress protection: IP67 (Sensor)  
IP65 (Housing)  
Switch. precision:  $<1.5^\circ$   
System connect.: Cable gland M20x1,5



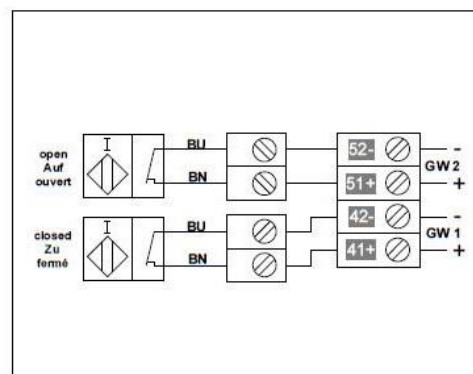
II 2G Ex ia IIC T6

EG type-examination certificate No.  
PTB 99 ATEX 2219 X

## OBJECT LIST

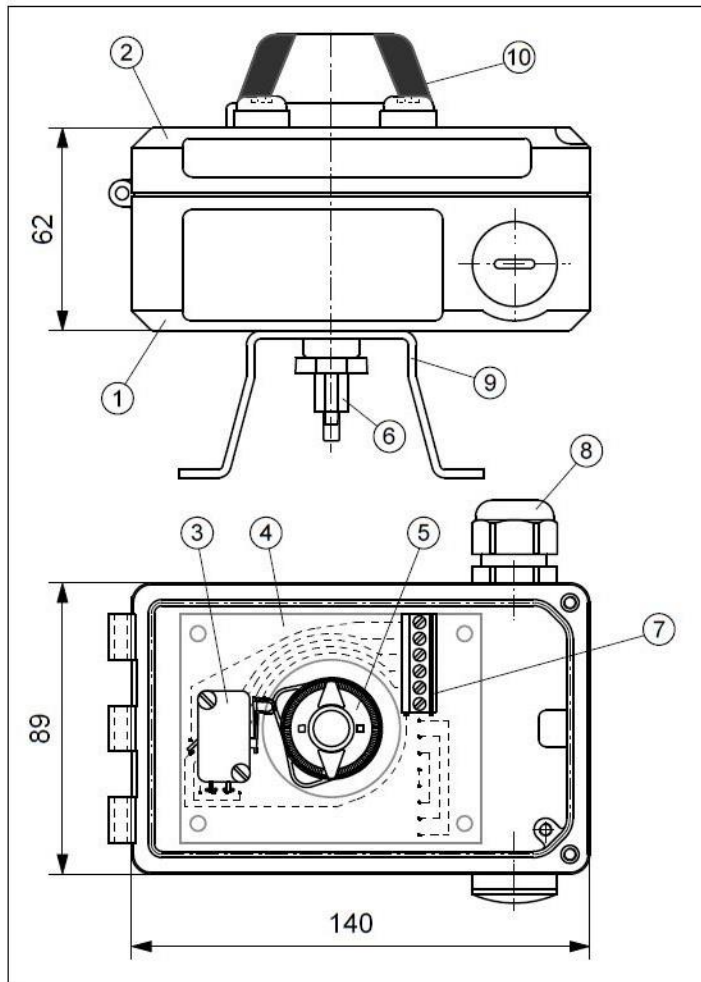
Pos.	Pcs.	Description	Material
1	1	Housing	Aluminium
2	2	P+F SJ3,5-N	ABS + 20% GF
3	2	Fastener	
4	2	Switch plate	POM + Al
5	1	Circuit board	-
6	1	Axis	POM
7	1	Terminal block, 4-pole	-
8	1	Cable gland M20x1,5	PA
9	1	Bracket size 1 - 4	A2
10	1	Membrane	-

## WIRING DIAGRAM



## Limit switch module CCR3ASTAZ0

COM-Module with two micro switches Crouzet Typ 83.161.301  
in Aluminium housing 140 x 89 x 62 mm, with high vision beacon "Open / Closed",  
without ventilation membrane



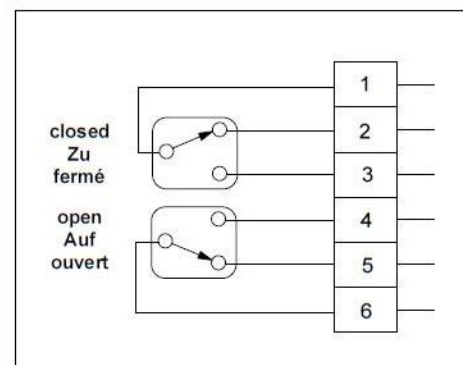
### TECHNICAL DATA

Manufacturer:	Crouzet
Type:	83.161.301 Silver contacts, two-way contact
Switch. power:	4 A, 230 V AC/DC
Economic life time:	2 x 10 <sup>7</sup> switch. cycles
Temperature:	-25 ... +85°C
Housing:	Aluminium with high vision beacon
Sealing:	PUR
Ingress protection:	IP65
Switch. precision:	1,5°
System connection:	Cable gland M20x1,5 Clamp. range 8...13 mm

### OBJECT LIST

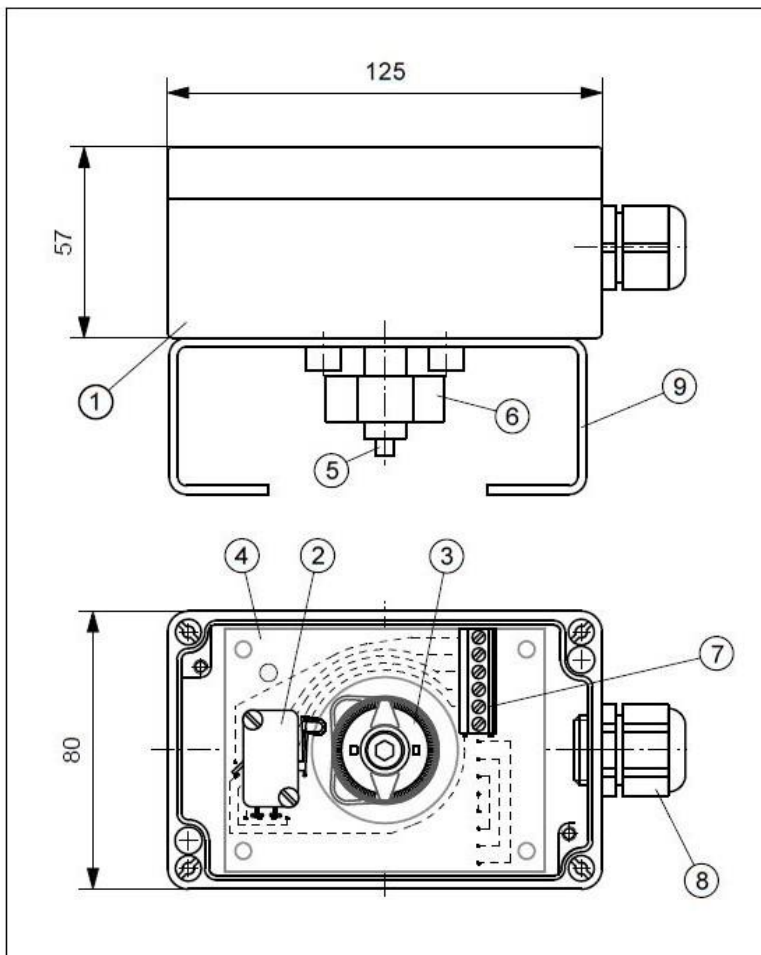
Pos.	Pcs.	Description	Material
1	1	Housing	Aluminium
2	1	Cover with hinge	Aluminium
3	2	Micro switch	-
4	1	Circuit board	-
5	1	Switch cam system	POM
6	1	Axis TCR	POM
7	1	Terminal block, 6-pole	-
8	1	Cable gland M20x1,5	PA
9	1	Bracket size 1 - 4	A2
10	1	Vision beacon "Open / Closed"	-

### WIRING DIAGRAM



## Limit switch module CR8AAZ0

ET-Module with two micro switches Crouzet 83.161.801 on circuit-board,  
in Aluminium-Housing 125x80x57 mm



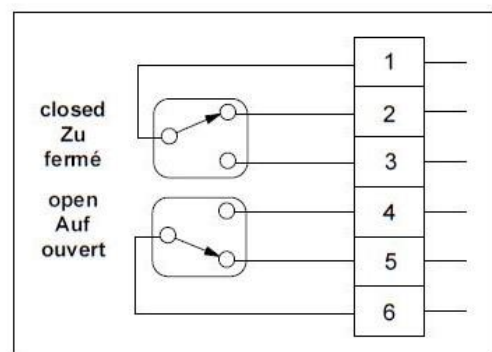
### TECHNICAL DATA

Manufacturer:	Crouzet
Type:	83.161.801 Micro switch
Switching power:	0.1 A, 250 V AC
Contacts:	Gold alloy
Economic life-time:	5 x 10 <sup>7</sup> switching cycles
Temperature:	-20 ... +85°C
Housing:	Aluminium
Sealing:	EPDM
Ingress protection:	IP65
Switch. precision:	< 1,5°
System connection:	Cable gland M20x1,5 Clamp. range 7...13 mm

### OBJECT LIST

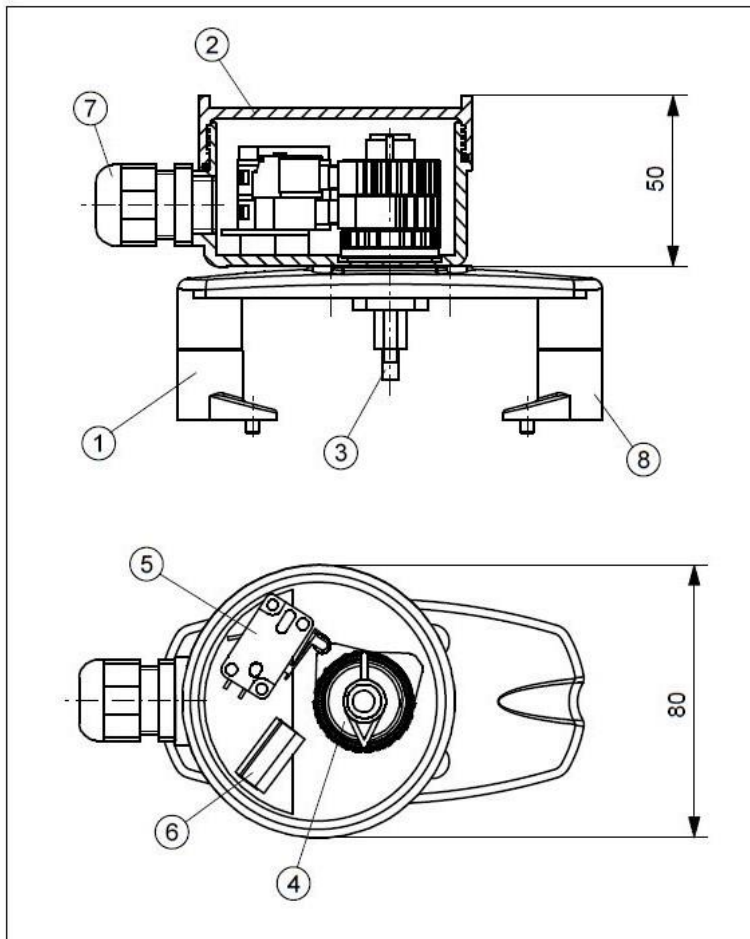
Pos.	Pcs.	Description	Material
1	1	Housing	Aluminium
2	2	Crouzet 83.161.801	-
3	1	Switch cam system	POM
4	1	Circuit-board	-
5	1	Axis	A2
6	1	Position indicator	PE
7	1	Terminal block, 6-pole	-
8	1	Cable gland M20x1,5	PA
9	1	Bracket size 1 - 4	A2

### WIRING DIAGRAM



## Limit switch module PCR3MVAZ

PB-Module with two micro switches Crouzet 83.161.301  
in PB-Housing ø80 x 97 mm with visual position indicator



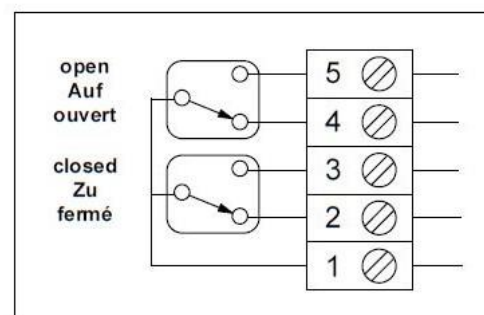
### TECHNICAL DATA

Manufacturer: Crouzet  
Type: 83.161.301  
Micro switch  
Switching power: 4 A, 250 V AC  
Contacts: Silver-Nickel  
Economic life-time:  $2 \times 10^7$  switch. cycles  
Temperature: -20...+85°C  
Housing: Vestamid, black  
Cover: Macrolon, clear  
with position indicator  
Sealing: EPDM 60 Shore  
Ingress protection: IP65  
Switching precision: <math><1.5^\circ</math>  
System connection: Cable gland M20x1,5

### OBJECT LIST

Pos.	Pcs.	Description	Material
1	1	Housing base	Vestamid
2	1	Housing cover	Macrolon
3	1	TCR-Axis	POM
4	1	Switch cam system	POM
5	2	Micro switch	-
6	1	Terminal block, 5-pole	-
7	1	Cable gland M20x1,5	-
8	1	Bracket size 1-4	PA

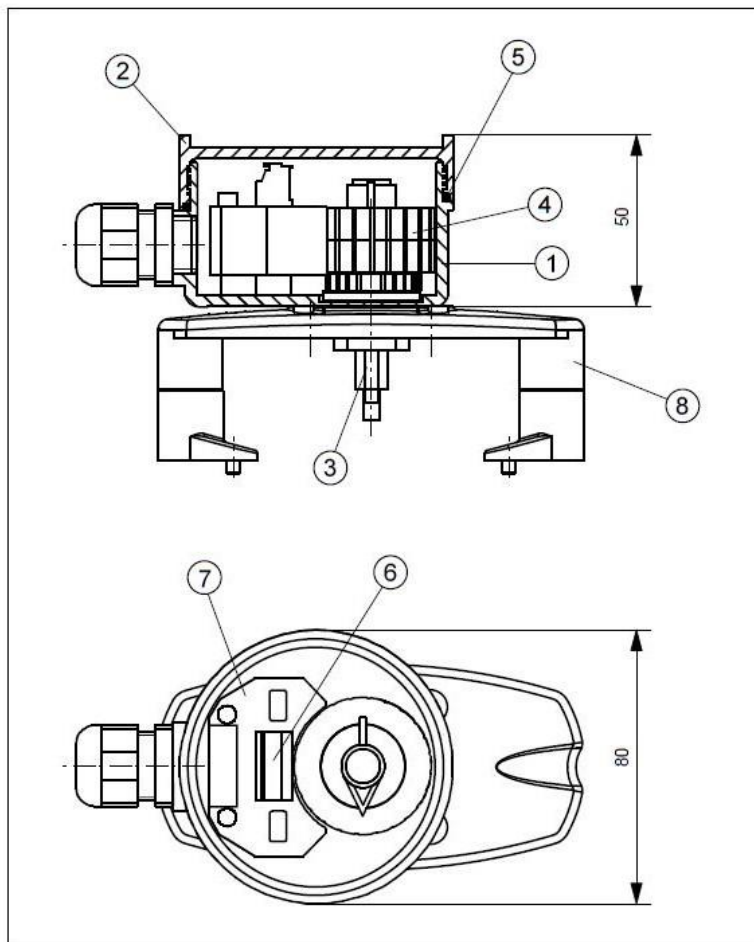
### WIRING DIAGRAM





## Limit switch module PFF25NPVVAZ

PB-Module with one double sensor Pepperl + Fuchs NCN3-F25F-N4-P  
in Vestamid-Housing ø80 x 97 mm



### TECHNISCHE DATEN

Manufacturer: Pepperl+Fuchs  
Type: NCN3-F25F-N4-P  
Double sensor, NAMUR  
Normally closed contact

Nominal voltage: 8 V DC  
Current consumpt.:  $\geq 3$  mA, inactive  
 $\leq 1$  mA, active

Output: short-circuit protection,  
reverse-polarity protection

Temperature:  $-25 \dots +85^\circ\text{C}$   
Ingress protection: IP 67 (Sensor)  
IP 65 (Housing)

Switching precision:  $< 0,5^\circ$   
Housing base: Vestamid, black  
Housing cover: Vestamid, black  
Sealing: EPDM  
System connection: Cable gland M20x1,5

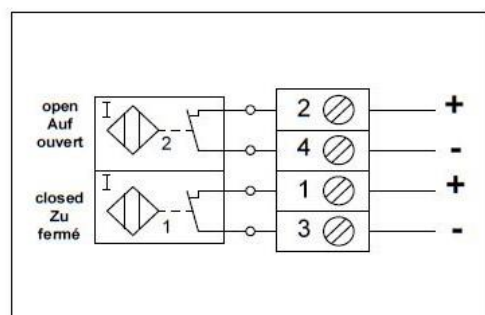


EC-Type Examination Certificate No.  
TÜV 99 ATEX 1479 X

### OBJECT LIST

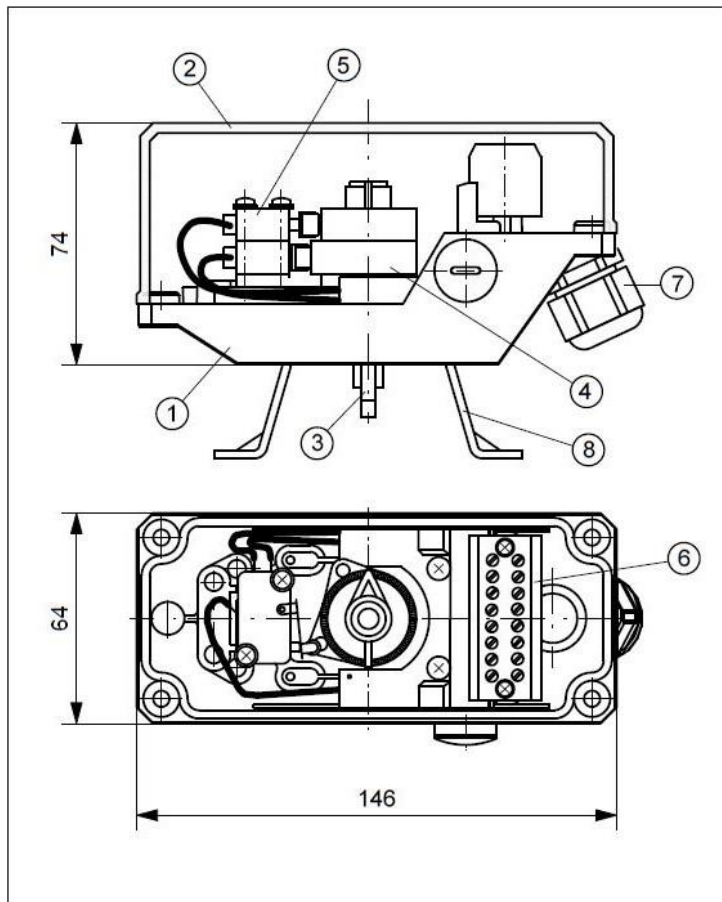
Pos.	Pcs.	Description	Material
1	1	Housing base	Vestamid
2	1	Housing cover	Vestamid
3	1	TCR-Axis	POM
4	1	Switch cam system	POM A2
5	1	O-ring sealing	EPDM
6	1	Terminal block, 4-pole	-
7	1	Double sensor NAMUR	-
8	1	Bracket size 1-4	A2 oder PA

### WIRING DIAGRAM



## Limit switch module TCR3MVAZ

TCR-Module with two micro switches Crouzet 83.161.301  
in TCR-Housing 146 x 64 x 74 mm



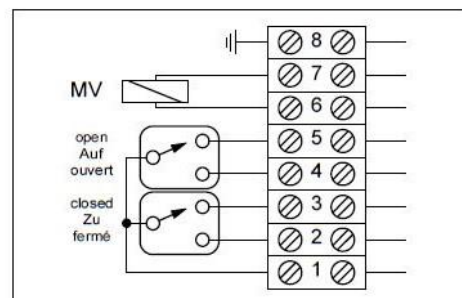
### TECHNICAL DATA

Manufacturer:	Crouzet
Type:	83.161.301 Micro switch
Switching capacity:	4 A, 250 V AC
Contacts:	Silver-Nickel
Economic life-time:	$2 \times 10^7$ switching cycles
Temperature:	-25 ... +85°C
Housing base:	Vestamid, black
Housing Cover:	Macrolon, clear
Sealing:	EPDM
Ingress protection:	IP65
Switching precision:	<1.5°
System connection:	Cable gland M20x1,5

### OBJECT LIST

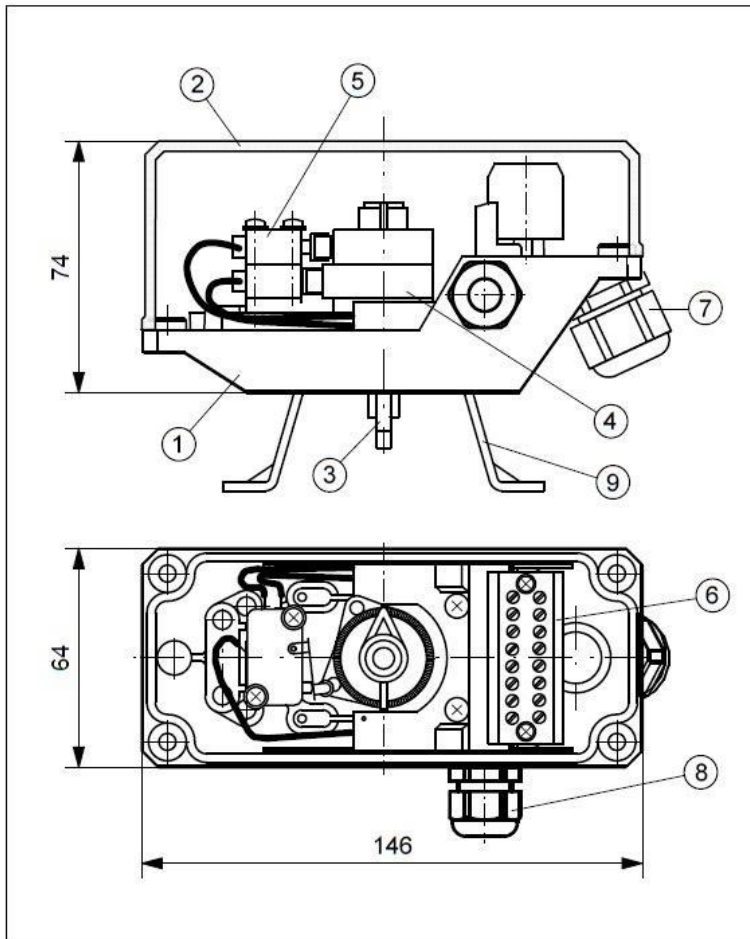
Pos.	Pcs.	Description	Material
1	1	Housing base	Vestamid
2	1	Housing cover	Macrolon
3	1	TCR-Axis	POM
4	1	Switch cam system	POM
5	2	Micro switch	-
6	1	Terminal block, 8-pole	-
7	1	Cable gland M20x1,5	-
8	1	Bracket size 1-4	A2

### WIRING DIAGRAM



## Limit switch module TCR3MVAZM12

TCR-Module with two micro switches Crouzet 83.161.301  
in TCR-Housing 146 x 64 x 74 mm, with solenoid connection M12x1,5



### TECHNICAL DATA

Manufacturer:	Crouzet
Type:	83.161.301 Micro switch
Switching capacity:	4 A, 250 V AC
Contacts:	Silver-nickle
Economic life-time:	2 x 10 <sup>7</sup> switching cycles
Temperature:	-20 ... +85°C
Housing:	Vestamid, black
Cover:	Macrolon, clear
Sealing:	EPDM
Ingress protection:	IP65
Switch. precision:	<1.5°
System connection:	Cable gland M20x1,5
Solenoid connect.:	Cable gland M12x1,5

### OBJECT LIST

Pos.	Pcs.	Description	Material
1	1	Housing base	Vestamid
2	1	Housing cover	Macrolon
3	1	TCR-Axis	POM
4	1	Switch cam system	POM
5	2	Micro switch	-
6	1	Terminal block, 8-pole	-
7	1	Cable gland M20x1,5	-
8	1	Cable gland M12x1,5	-
9	1	Bracket size 1-4	A2

### WIRING DIAGRAM

