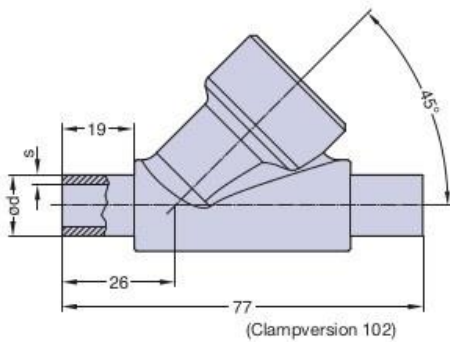
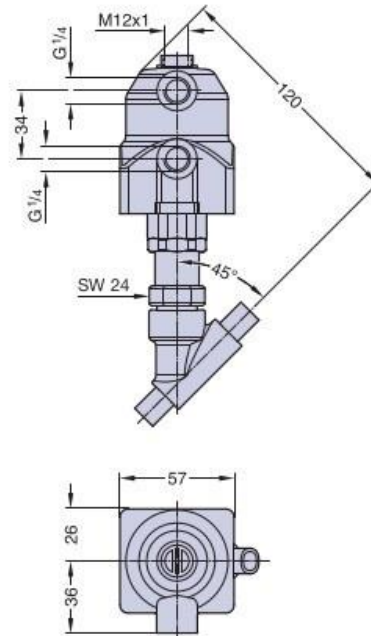


Y-type valve Typ 584, Actuator 43

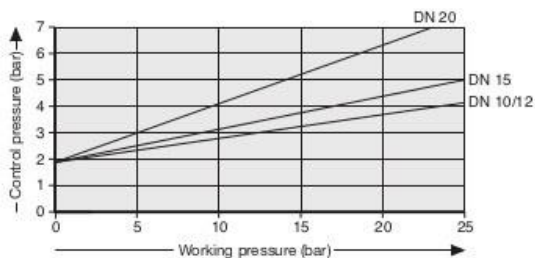


Butt Weld End [mm]
Valve Body Material Forged Body 1.4435 (Code 77)

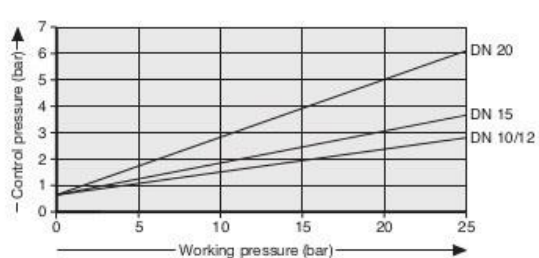
Connection Code										
DIN		DIN 11850		ASTM 269		ISO 1127				
Selection Series	Series 1	Series 2	Series 1	Series 2	ASME BPE	ASME BPE	ASME BPE	ASME BPE	ASME BPE	
39		41		42		45		40		
DN	ød	s	ød	s	ød	s	ød	s	ød	s
8	10	1	-	-	-	-	-	-	13,5	1,6
10	-	-	12	1	13	1,5	9,53	0,89	-	-
15	-	-	-	-	-	-	12,7	1,65	-	-

Weight 0,7 kg, preferential standards in bold

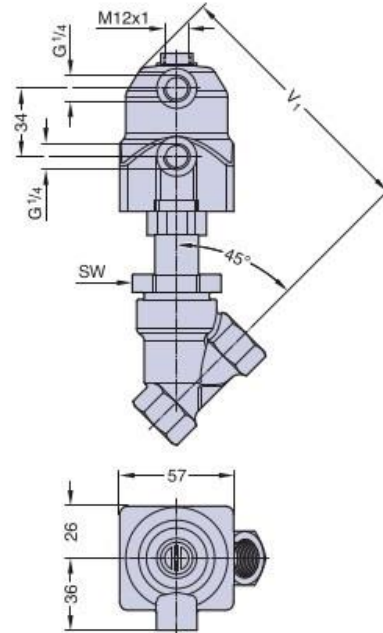
Actuator 43 (NO), flow below the seat



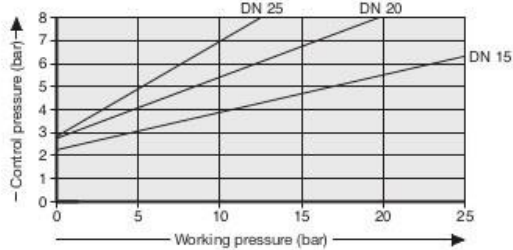
Actuator 43 (DA), flow below the seat



Y-type valve Typ 584, Actuator 45 und Actuator 46



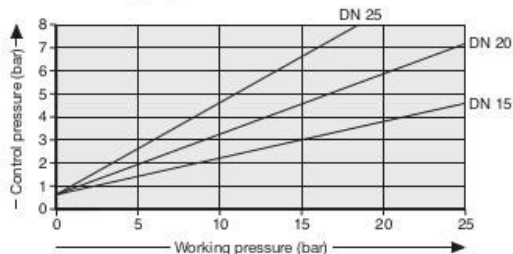
Actuator 45 (NO), flow below the seat



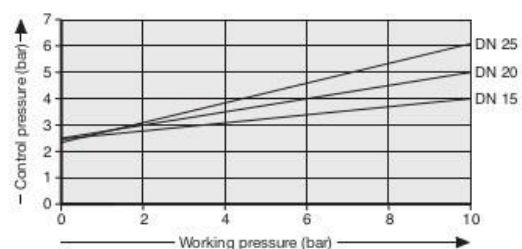
Measurement and weight table Actuator type 45 and 46

DN	SW	V ₁	Weight (kg)
15	36	130	0,8
20	41	136	1,1
25	46	140	1,2

Actuator 45 (DA), flow below the seat



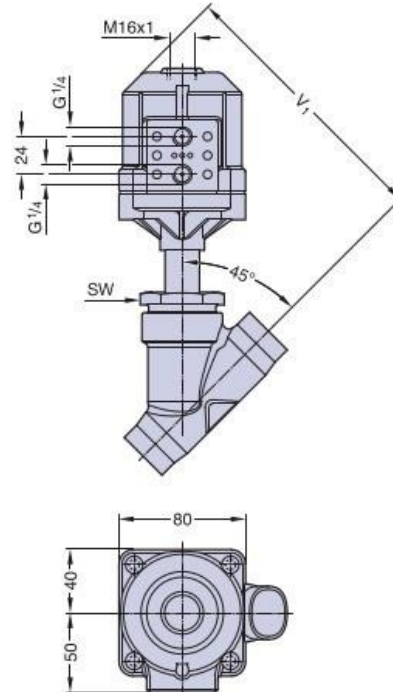
Actuator 46 (NC), flow above the seat



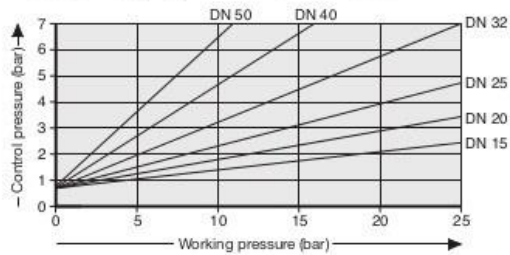
Y-type valve Typ 584, Actuator 70 and Actuator 71



Namur-Flange
The threaded
bushing
024.583.001 for
the valve mount-
ing necessary
is available on
request.



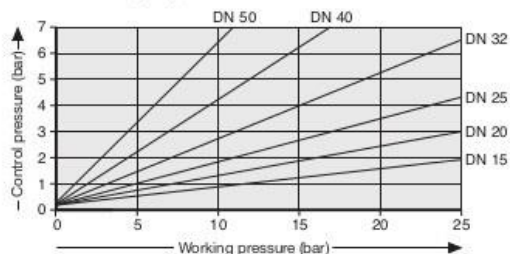
Actuator 70 (NO), flow below the seat



Measurement and weight table Actuator type 70 and 71

DN	SW	V ₁	Weight (kg)
15	36	162	1,2
20	41	173	1,3
25	46	173	1,6
32	55	179	2,1
40	60	185	2,2
50	75	192	3,2

Actuator 70 (DA), flow below the seat



Actuator 71 (NC), flow above the seat

